



**FOOD EQUIPMENT**

*SERVING THE FOOD INDUSTRY SINCE 1951*

# 36" COMMERCIAL LIQUID PROPANE RANGE WITH 6 BURNERS AND CONVECTION OVEN

Items: 47450 | Model: CE-CN-0914-LC

**MAXIMIZE YOUR COOKING IN YOUR BUSY KITCHEN WITH OMCAN'S 36" COMMERCIAL RANGE WITH 6 BURNERS & CONVECTION OVEN**



**WARRANTY**  
PARTS AND LABOR

NEMA  
5 - 15  
125 VAC / 15 AMP  
RECEPTACLE



Authorized Dealer

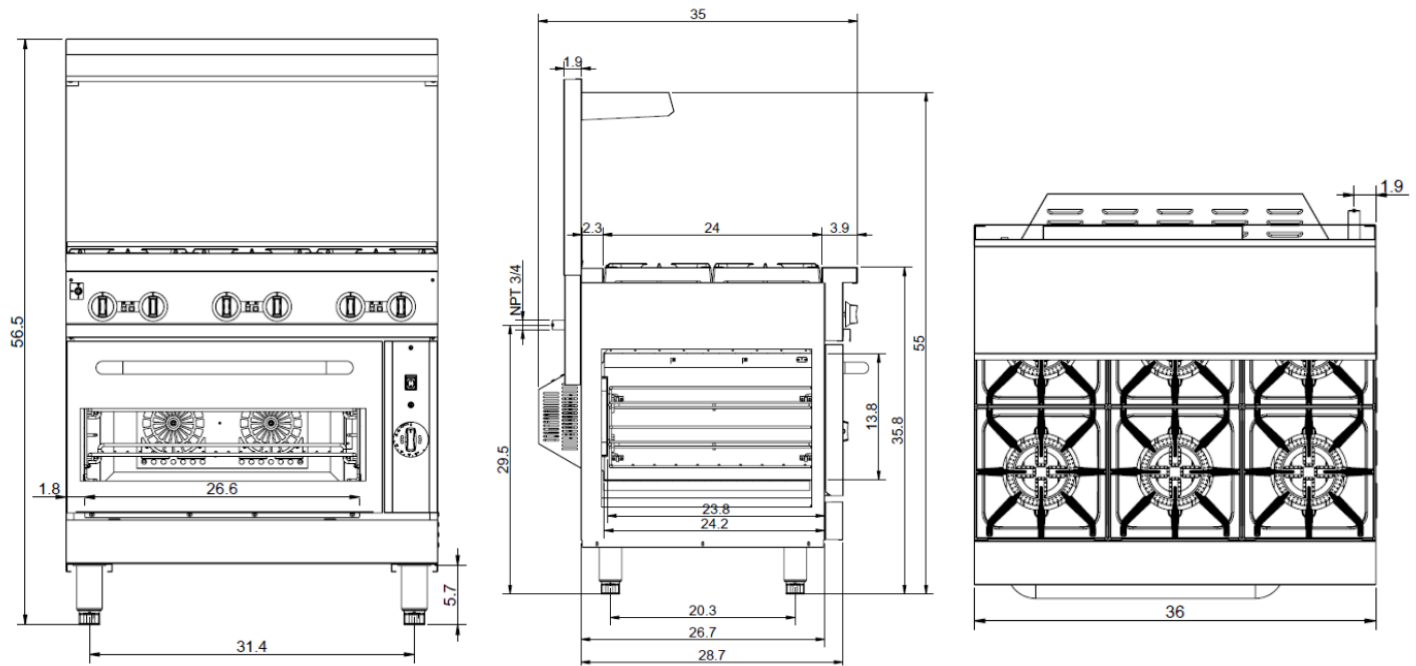
# FOOD EQUIPMENT

## 36" COMMERCIAL RANGE WITH CONVECTION OVEN



### TECHNICAL DRAWINGS & DIMENSIONS

\*measurements in diagrams are shown inches



### TECHNICAL SPECIFICATIONS

Item	47450
Model	CE-CN-0914-LC
Gas Type	Liquid Propane
Number Of Burners	6
BTU	211,000 BTU Each burner: 30,000 BTU Oven: 31,000 BTU
Oven Temperature Range	105 - 255°C   220 - 490°F
Weight	386 lbs   175 kg
Gross Weight	485 lbs   220 kg
Oven Dimensions	26.6" x 23.5" x 13.8"
Burner Dimensions	12" x 12" (Open, Cast Iron)
Dimensions	36" x 35" x 56.5"
Gross Dimensions	41" x 38" x 35"

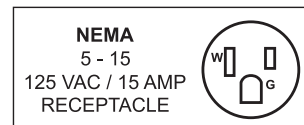
### FEATURES:

- Stainless steel front and galvanized sides
- Cast iron open burners, each 30,000 BTU/hr
- Thermostat controlled oven, temperature ranging from 220-490 °F
- Cooling switch to reduce cavity temperature quickly
- Double circulating fans to ensure even temperature
- Adjustable heavy-duty legs



### WARRANTY

PARTS AND LABOR



## OMCAN INC.

Telephone: 1-800-465-0234  
 Fax: (905) 607-0234  
 Email: sales@omcan.com  
 Website: www.omcan.com



Follow us to keep up to date with the latest news and offers



2017E&OE